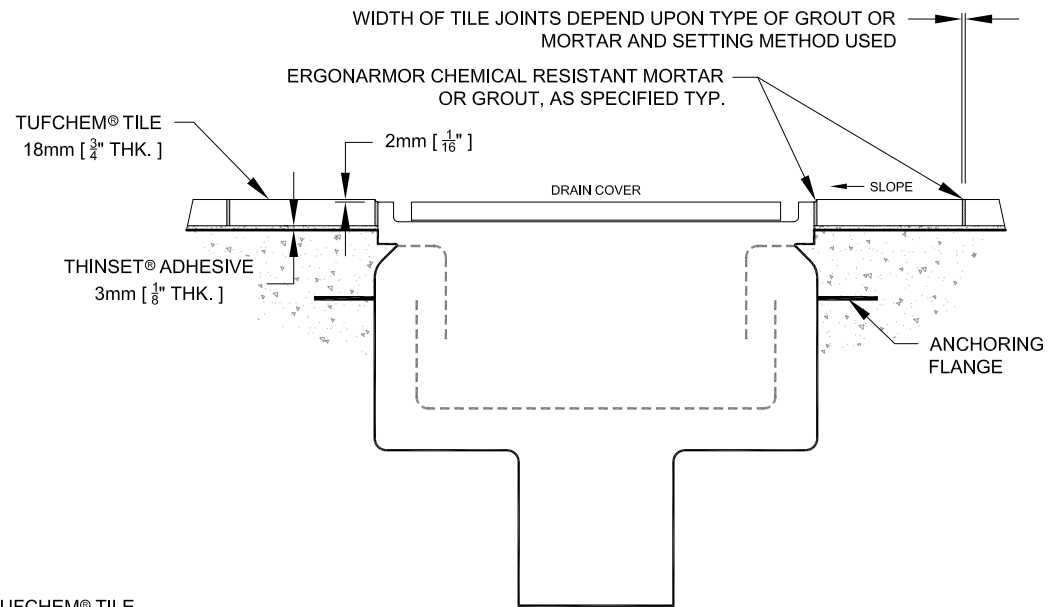


PLAN VIEW

NOTE :

MITER TILES AT DRAIN CORNERS AS NECESSARY. FRAME DRAIN WITH [1] ONE ROW OF TILES AS SHOWN.

This drawing, including the principle of design, is the property of ErgonArmor and is submitted with the understanding that it will not be used for any purpose except that specified in writing by ErgonArmor. While all statements, technical information, and recommendations contained herein are based on information our company believes to be reliable, nothing contained herein shall constitute any warranty, express or implied, with respect to the products and/or services described herein and any such warranties are expressly disclaimed. We recommend that the prospective purchaser or user independently determine the suitability of our product(s) for their intended use. No statement, information or recommendation with respect to our products, whether contained herein or otherwise communicated, shall be legally binding upon us unless expressly set forth in a written agreement between us and the purchaser/user.



SECTION VIEW

NOTES :

1. TILE SURFACE ADJACENT TO DRAIN SHALL BE + $\frac{1}{16}$ " ELEVATION ABOVE DRAIN FRAME/ COVER ASSEMBLY.
2. WIDTH OF TILE JOINTS DEPEND UPON TYPE OF GROUT OR MORTAR AND SETTING METHOD USED.

CED-609 10/12 SUPERSEDES 12/09
TUFCEM® TILING SYSTEM
FLOOR DRAIN DETAIL

NO SCALE
 DRAWN BY: CO
 COPYRIGHT: ERGONARMOR
 CORROSION ENGINEERING

